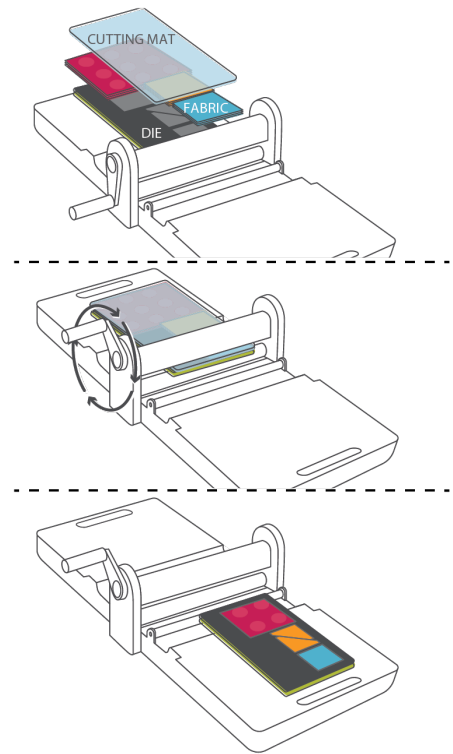


# AccuQuilt GO! Instructions

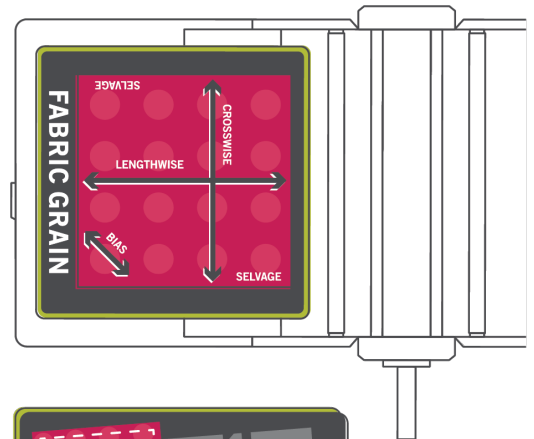
## How to use the GO! Cutter:

1. Place die on cutter, FOAM SIDE UP. Place fabric on top of die. Place cutting mat on top of fabric.
2. Push die, fabric and mat firmly against roller. Turn handle in direction you want the die to go. Crank the die all the way through the rollers. **DO NOT** force the die through!
3. Once the die is all the way through the rollers, slide the mat off the fabric, lift up the die-cut shapes. Watch for snagged threads or uncut places, trim with scissors as needed. Clear out any snagged threads with the die pick, add new fabric, and flip the cutting mat before placing it on top of die. Repeat cutting process.



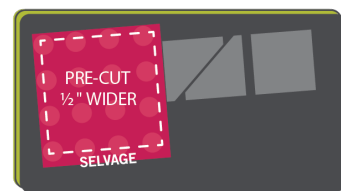
## Fabric Tips

- Pre-cut fabric approximately 1/2" wider than the shape you want to cut.
- Line fabric up just over the edge of the die blade, not the edge of the die board, to conserve fabric and to make sure the grain direction is accurate.
- Cut along the lengthwise grain (least amount of stretch) for more accurate cuts. Put the lengthwise grain perpendicular to the rollers.
- You can cut multiple layers by fan folding the fabric over the die blades, but be careful when dealing with directional prints or shapes.



## Mat Tips

- Use both sides of the cutting mats and move them around. Use mats on different dies to spread the cuts out.
- The die will only cut what is covered by a mat. Only cover the pieces you want to cut. You don't need to always cover the whole die.



## Maintenance Tips

- Use a lint roller to clean the surface of the foam dies. Use tweezers or the provided die pick to clean out thread and snagged fabric from the blades.
- Fight static with used dryer sheets.
- If die blades pop up through the foam, take a mat or the eraser end of a pencil and press the blade back down.
- If the foam padding starts to lift up, glue it back down with Elmer's glue.

## Troubleshooting

	First attempt to roll the handle in the opposite direction. Gently work the die from under the rollers. Never force a die through.	Decrease the number of layers of fabric on the die.	Never run a die through with the blades parallel to the rollers. Always run the blades at an angle even if that means angling the die before it goes through the rollers.	Inspect the mat for excessive wear. Shift the mat slightly so the die blades are hitting a less worn section of the mat. If the mat is too worn out, it may need replacing.
<b>It's hard to crank the die through the rollers!</b>		x	x	
<b>A die is jammed in the rollers!</b>	x	x	x	
<b>I'm getting a lot of uncut areas!</b>		x		x

## Recommended Number of Fabric Layers Per Type of Fabric

AccuQuilt recommends the following for the most common fabrics on the GO:

- Cotton – 4
- Cotton with fusible web – 3
- Batiks – 4
- Fleece – 1-2
- Flannel – 1-2
- Wool – 2
- Batting – 1-2
- Felt – 1-2